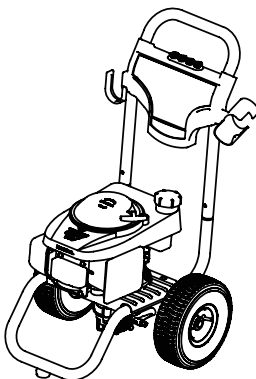


ITEM	PART NO	DESCRIPTION	QTY.
1	7106858	FRAME, SERVICE ASSEMBLY, RED	1
2	7104116	HANDLE, ASSY WITH BONNET, NOZZLE STRIP & LABEL	1
†	2.1	HANDLE, BENT TUBE RED	1
†	2.2	7105906 BONNET, SERVICE ASSEMBLY WITH LABELS	1
†	2.3	SCREW, 1/4-20 TORX PANHEAD	2
	3	7104047 ENGINE SERVICE ASSEMBLY WITH LABELS, HONDA GCV160	1
	4	7104174 KEY, SHAFT 3/16SQ X 1-1/4	1
	5	7105466 OEM PUMP SERVICE ASSEMBLY, 3000PSI @2.4GPM	1
¶	5.1	510003 OEM PUMP, 3000PSI @2.4GPM	1
†	5.2	CAP, UNLOADER COVER	1
†	5.3	BOLT, 5/16"-18 x 2" FLANGE	3
†	5.4	NUT, 5/16"-18 WHIZ	3
	6	7103292 FOOT KIT, RUBBER FOOT AND SCREW	1
†	6.1	FOOT, RUBBER 1.5 X 5/16	1
†	6.2	SCREW, 1/4 TORX PANHEAD	1
	7	7102122 BUTTON, SNAP	2
	8	7103776 HARDWARE KIT, ENGINE MOUNT	1
†	8.1	BOLT, FLANGE 5/16-18	3
†	8.2	NUT, WHIZ 5/16-18	3
	9	7106805 WHEEL KIT, SERVICE ASSEMBLY	2
†	9.1	WHEEL, 10 x 4 (4.10/3.50-4) BLACK HUB	1
†	9.2	AXLE, STUB Ø.625" X 4.614" ROUND HEAD ZINC PLATED	1
†	9.3	CLIP, E-TYPE 5/8" X 0.042	1
†	9.4	WASHER, 5/8 FLAT	1
	10	7100637 NOZZLE, SET 4 PC 3.0	1
	11	7104847 GUN, 3000PSI @8GPM	1
	12	7103550 LANCE, 16IN, 1/4 QC M(22)	1
	13	7102768 HOSE, 3000PSI BLACK, 1/4 X 25'	1
	14	7101682 SOAP HOSE, 1/4 X 51" CLEAR	1
*	15	7102045 UNIVERSAL NOZZLE CLEANING TOOL	1
*	16	7104572 MANUAL, OWNER'S MSV2623	1
*	17	7105699 BOX, SHIPPING	1

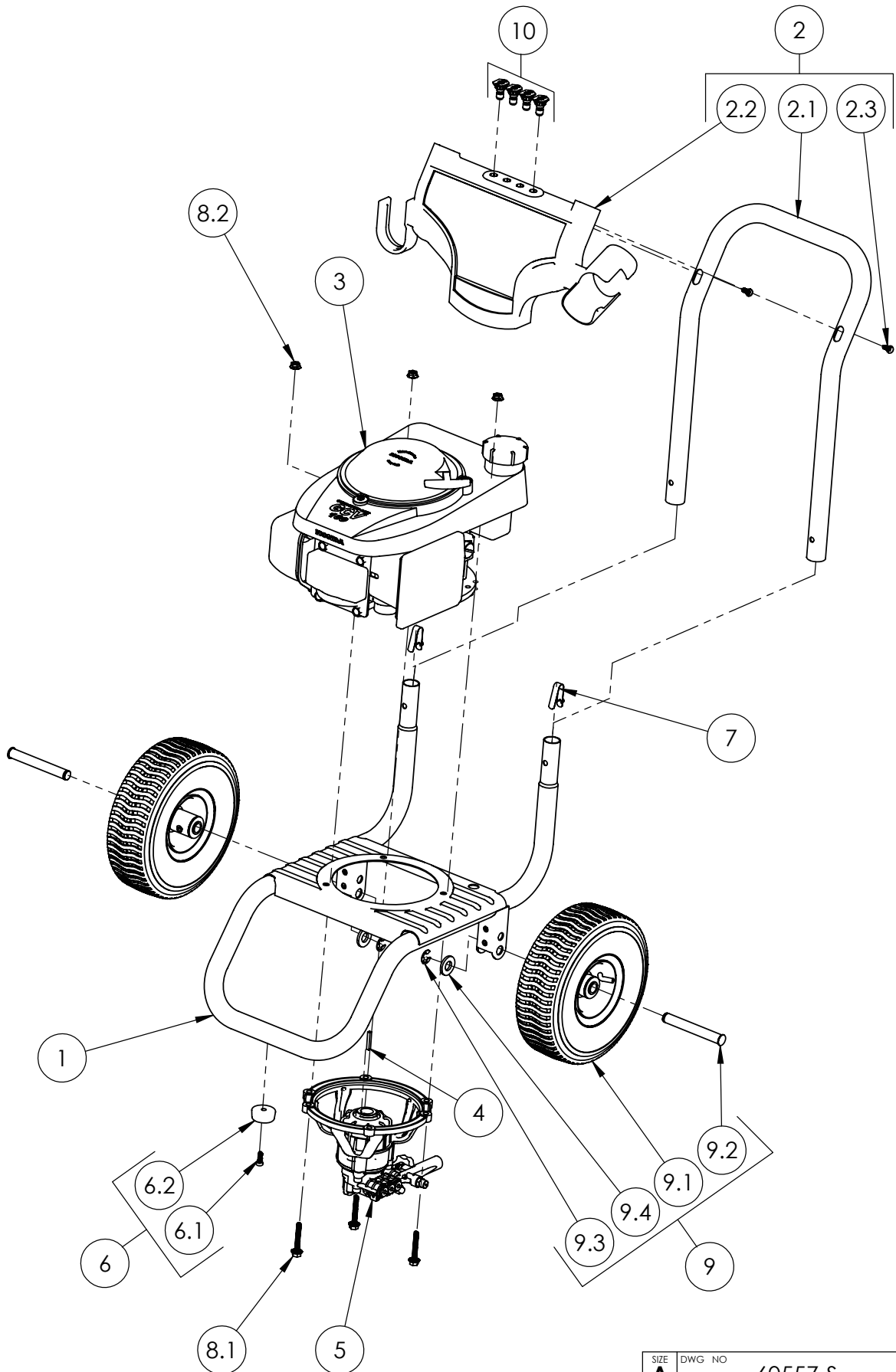
* NOT SHOWN
† NOT SOLD SEPARATELY

PUMP IDENTIFICATION TABLE			
MACHINE SERIAL NO.	PUMP TYPE	PUMP KIT NO.	PUMP PART NO.
69420 TO 474825	VERTICAL, 2700PSI @2.3GPM	7106853	7104074
537700 TO PRESENT	OEM PUMP, 3000PSI @2.4GPM	7105466	510003

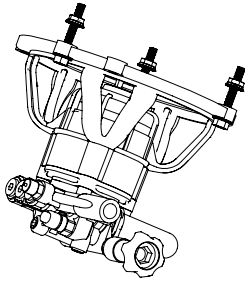


ONLY THE LATEST VERSION OF THE PUMP IS AVAILABLE FOR REPLACEMENT

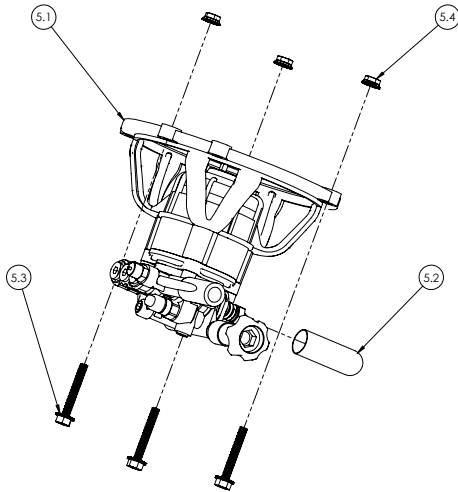
FNA-GROUP 1265 INDUSTRIAL STREET DECATUR AR 72722		
TITLE:		
MSV2623-S		
<small>PROPRIETARY AND CONFIDENTIAL</small> THE INFORMATION CONTAINED IN THIS DRAWING IS THE SOLE PROPERTY OF FNA-GROUP. ANY REPRODUCTION IN PART OR AS A WHOLE WITHOUT THE WRITTEN PERMISSION OF FNA-GROUP IS PROHIBITED.		
DRAWN: MAV CHECKED: M G ENG APPR: JEW MFG APPR: Q A APPR: JEP SERVICE APPR: D H	NAME: MAV DATE: 5/07/2013 5/21/2013 5/21/2013 5/21/2013 5/20/2013	SIZE: A DWG NO: 60557-S SCALE: N/A ECH# DC13-0121
REV: A		SHEET 1 OF 11



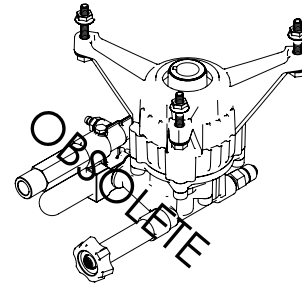
SIZE	DWG NO		REV
A	60557-S		A
SCALE:	N/A	ECH#	DC13-0121
			SHEET 2 OF 11



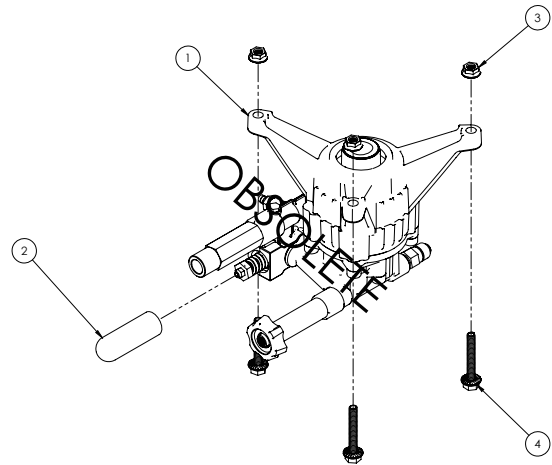
PUMP SERVICE ASSEMBLY
PART NO. 7105466



ITEM	PART NO	DESCRIPTION	QTY
5.1	510003	OBM PUMP 3000PSI @2.4GPM	1
5.2	7104122	CAP UNLOADER COVER	1
5.3		BOLL 5/16"-18 x 2" FLANGE	3
5.4		NUT 5/16"-18 WHIZ	3

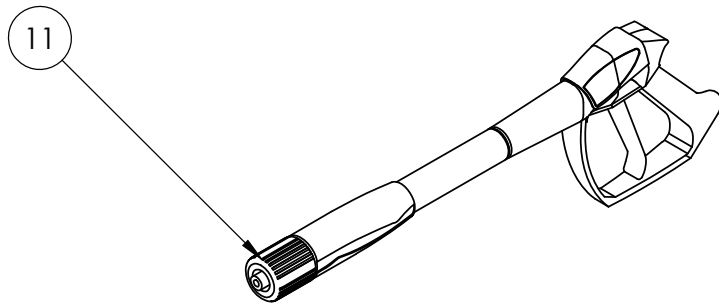


PUMP SERVICE ASSEMBLY
PART NO. 7106853

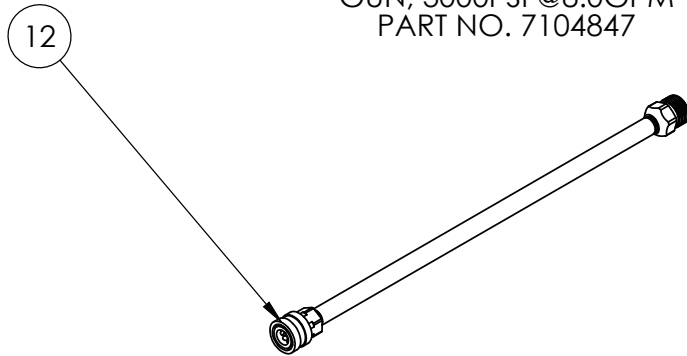


ITEM	PART NO	DESCRIPTION	QTY
1	7104074	PUMP 3000PSI @ 2.4GPM VERTICAL AXIAL WATER INLET KIT	1
		OUTLET EXTENSION KIT	1
		VALVE THERMAL RELIEF 1/4" NPT(M)	1
2		CAP UNLOADER COVER	1
3		NUT 5/16"-18 WHIZ	3
4		BOLT 5/16"-18 x 2" FLANGE	3

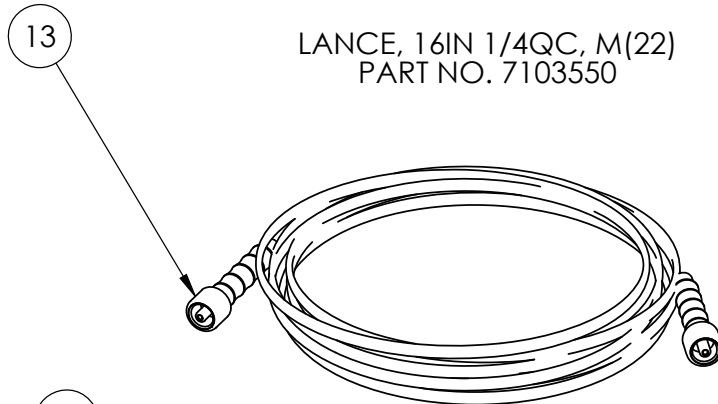
SIZE C	DWG. NO. 60557-A	REV A
ECN - DC13-0121	SCALE: 1:6	SHEET 3 OF 12



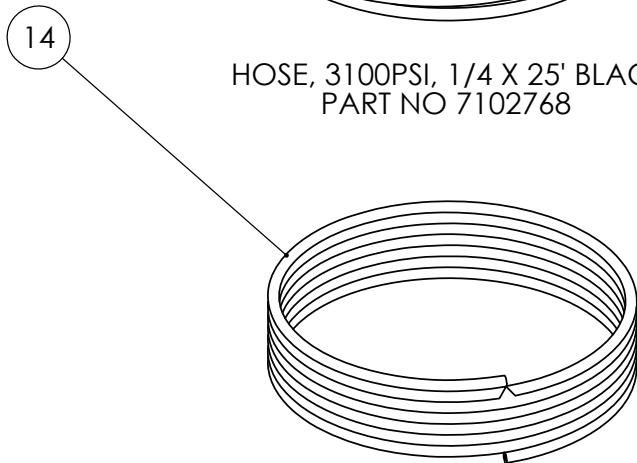
GUN, 3000PSI @8.0GPM
PART NO. 7104847



LANCE, 16IN 1/4QC, M(22)
PART NO. 7103550



HOSE, 3100PSI, 1/4 X 25' BLACK
PART NO 7102768



SOAP HOSE, 1/4 X 51", CLEAR
PART NO. 7101682

SIZE	DWG NO	REV
A	60557-S	A
SCALE: N/A	ECN# DC13-0121	SHEET 4 OF 11